

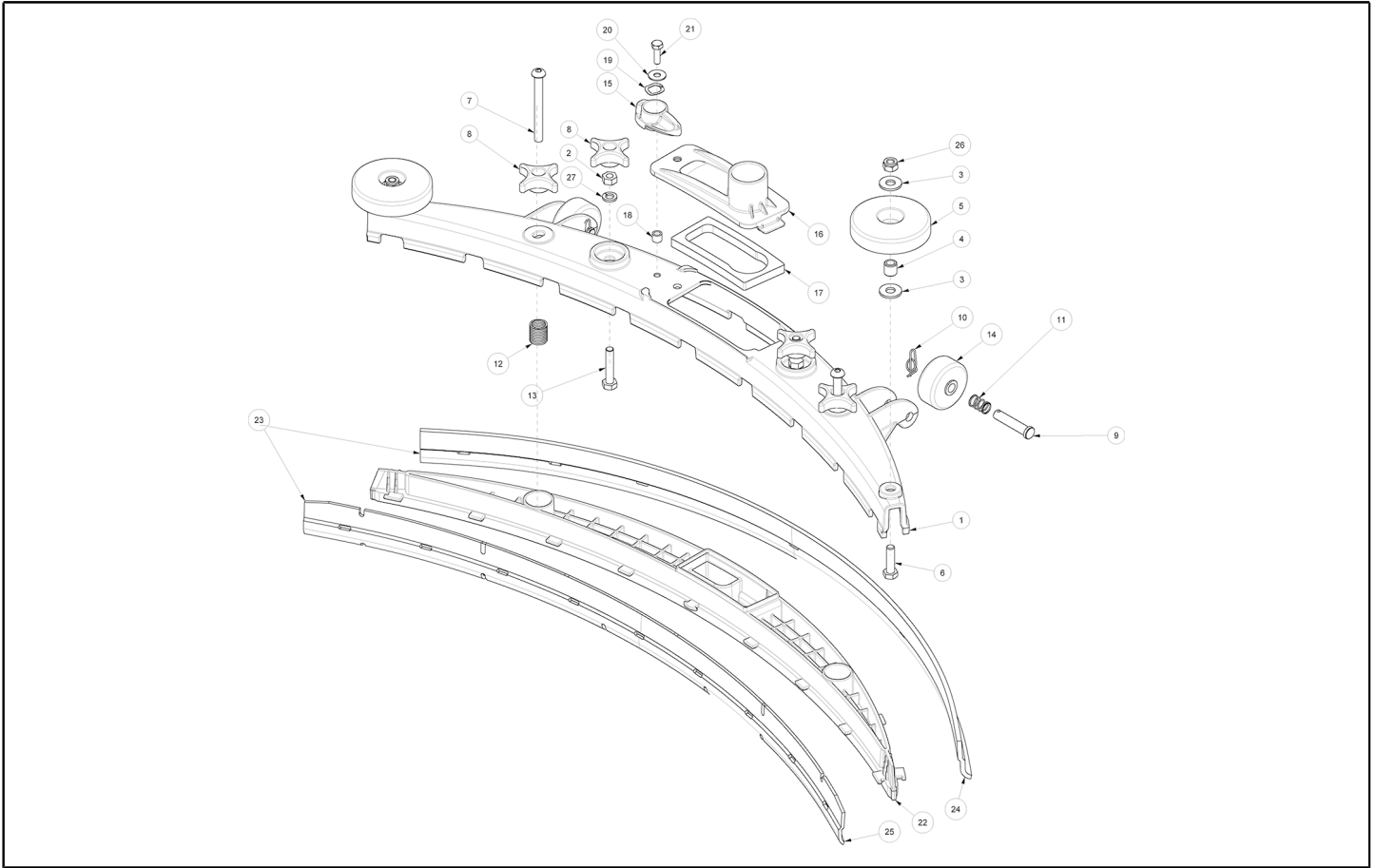


Spare Parts List

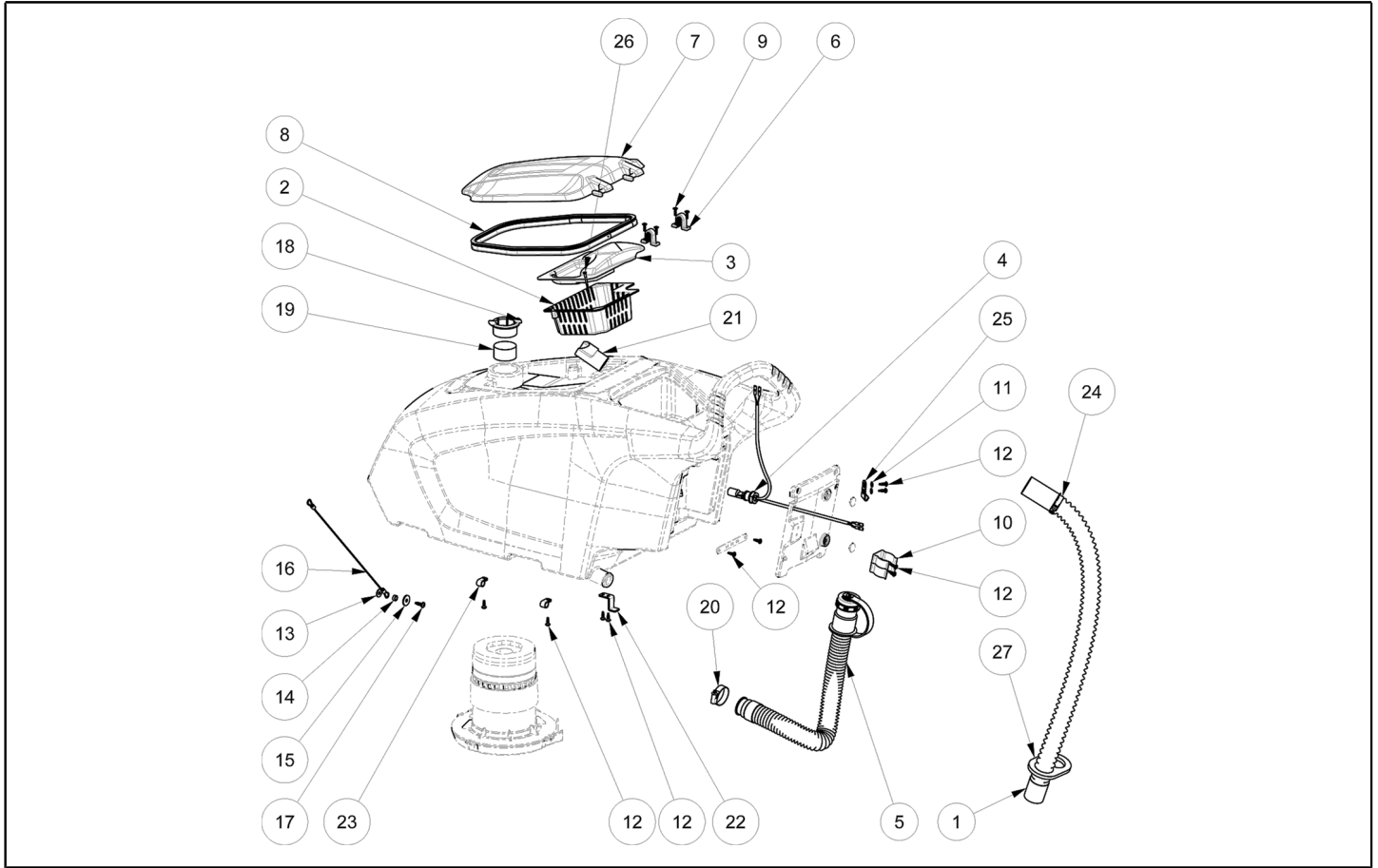
IP Cleaning Srl - Gansow

Ref: LPTB03950

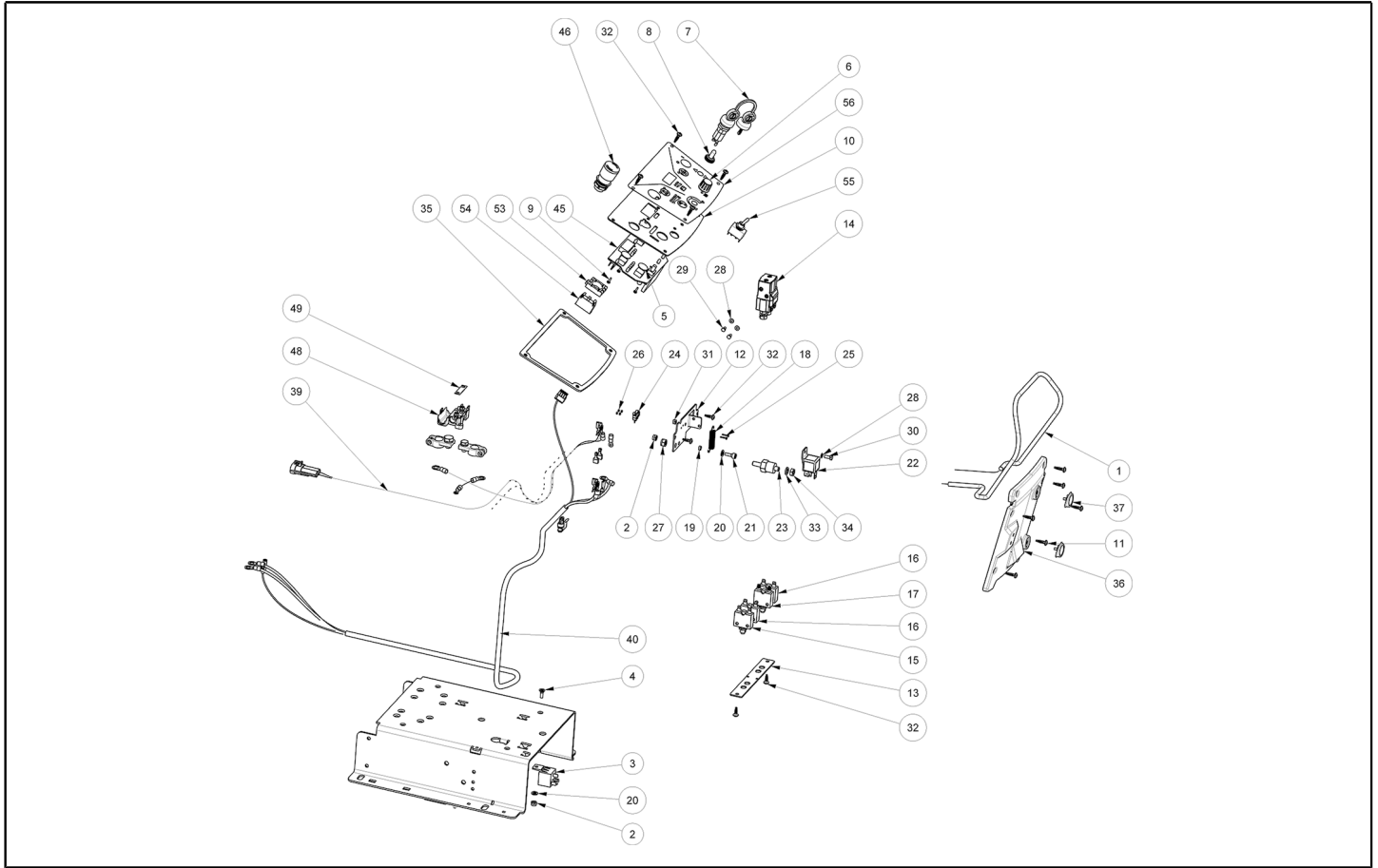
Model: FLOOR WASHER CT40 BT50 MK2+CB STADSING



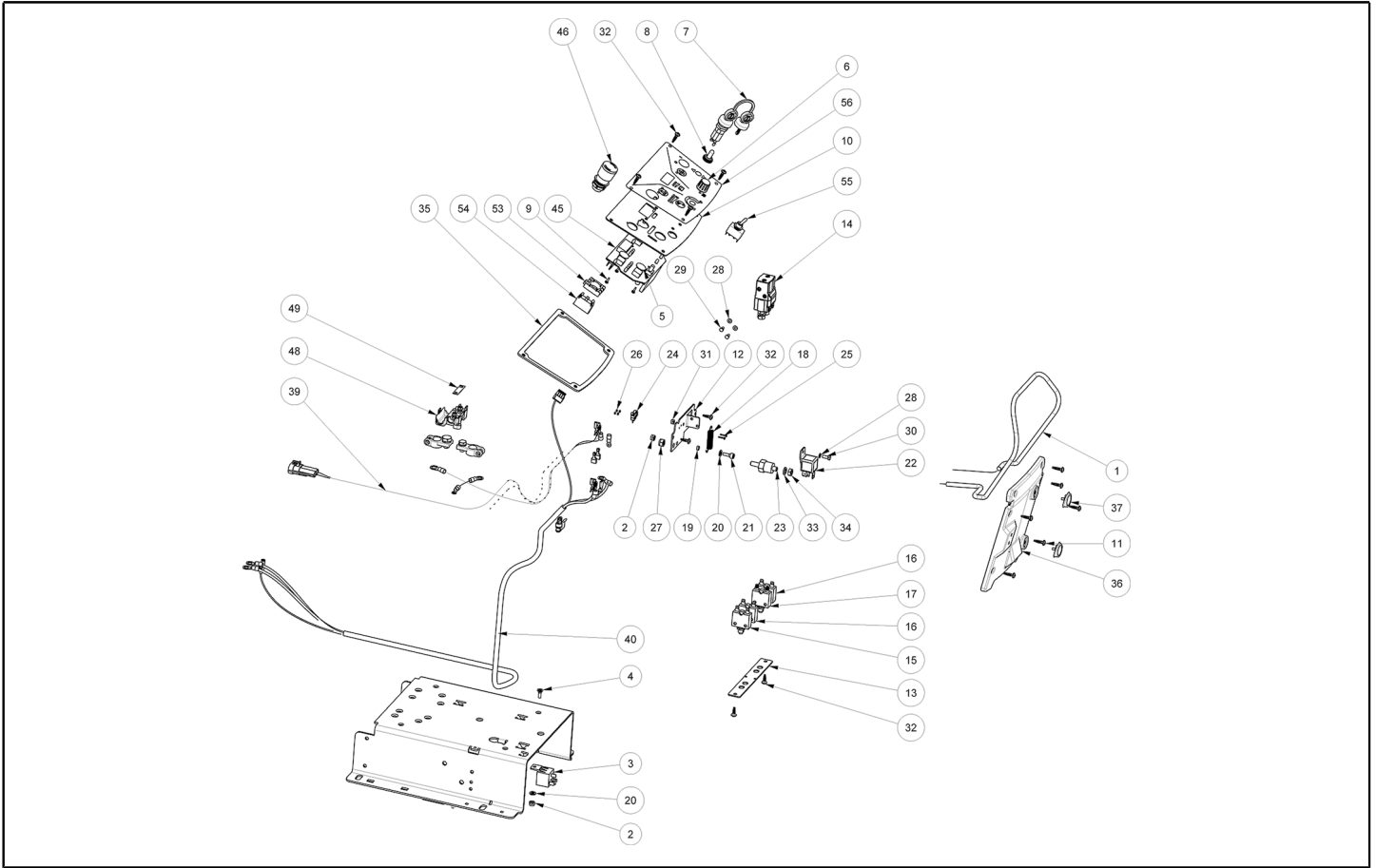
Ref. K	Part N.	Part N. 2	Description	Quantity	Validity		Price
					From	To	
0001	819660	N/A	FLOOR WIPER Sqge, 50cm, Mach [T300]	1,00			--
0002		N/A	NUT Hex, Std, M8 X 1.25, Ss	2,00			--
0003		N/A	WASHER Flat, 0.35b 0.75d .04, Ss	4,00			--
0004		N/A	SPACER P/M, 0.32b 0.50d 0.5l [43	2,00			--
0005	819661	N/A	WHEEL Bmpr, 80d X 25w, Non- Mar	2,00			--
0006		N/A	SCREW Hex, M8 X 1.25 X 30, NI,	2,00			--
0007		N/A	SCREW Btn, M8 X 1.25 X 85, Ss	2,00			--
0008	819662	N/A	SMALL KNOB Star, 2.00od 4ear M8x1.	4,00			--
0009	819663	N/A	PIN Clevis, 0.37d X 1.75l	2,00			--
0010	819664	N/A	PIN Cotter, Hair, 0.38d .054	2,00			--
0011		N/A	SPRING Cmpr, 0.50od .04wir 00.8l	2,00			--
0012		N/A	SPRING Cmpr, 0.72od .06wir 02.3l	2,00			--
0013		N/A	SCREW Hex, M8 X 1.25 X 40, Ss	2,00			--
0014	819665	N/A	WHEEL Pyu, 02.0d 0.38w, Gray	2,00			--
0015	819666	N/A	SMALL KNOB Sqge, 58l, M6 X 1.00, Pls	1,00			--
0016	819667	N/A	COVERING Trap, Water, Sqge	1,00			--
0017	819668	N/A	GASKET Trap, Water, Sqge	1,00			--
0018	819669	N/A	SPACER P/M, 0.25b 0.38d	1,00			--
0019		N/A	WASHER .505 X .750 X 0.45 Wave	1,00			--
0020		N/A	WASHER 0.27b 0.69d .05, Ss	1,00			--
0021		N/A	SCREW Hex, M6 X 1.00 X 20, NI,	1,00			--
0022	819671	N/A	SUPPORT Sqge [T300]	1,00			--
0023	819672	N/A	BLADE Kit, 500mm, Linatex (Stan	1,00			--
0024	819673	N/A	BLADE Sqge, Rear, 836l, Linatex	1,00			--
0025	819674	N/A	BLADE Sqge, Front, 788l, Linate	1,00			--
0026		N/A	NUT M8 INOX+ZIN.	2,00			--
0027		N/A	WASHER GROVER A2 UNI1751	2,00			--



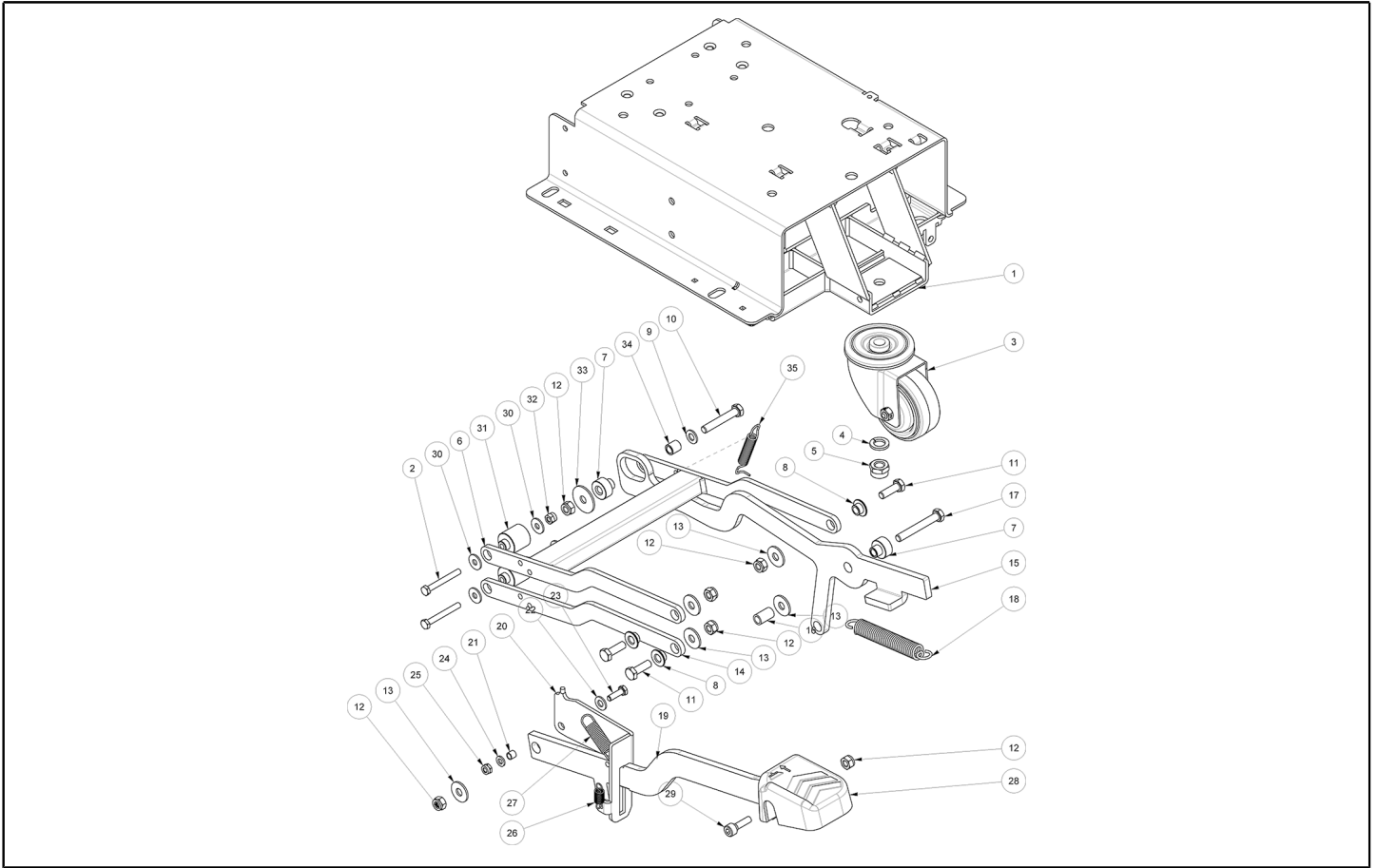
Ref. K	Part N.	Part N. 2	Description	Quantity	Validity		Price
					From	To	
0001	819675	N/A	HOSE SQUEEGEE CT 40 ECO	1,00			--
0002	819676	N/A	SMALL BASKET .	1,00			--
0003	819677	N/A	COVER .	1,00			--
0004	819056	N/A	SENSOR SOLUTION TANK CT51-71	1,00			--
0005	819678	N/A	HOSE DRAIN PU MY'21 CT40/70/90	1,00			--
0006	819679	N/A	HINGE 416S	2,00			--
0007	819680	N/A	COVER RECOVERY TANK	1,00			--
0008	819681	N/A	GASKET RECOVERY TANK LID	1,00			--
0009		N/A	SCREW STS KN1031-Neu 4x16 - H2	4,00			--
0010	816459	N/A	CLIP FIXATION DRAIN HOSE	1,00			--
0011		N/A	WASHER STEEL INOX 4X12	2,00			--
0012		N/A	SCREW STS KN1038 5x16 - T20 A2	10,00			--
0013		N/A	WASHER D. 6X18 INX UNI 6593	1,00			--
0014		N/A	BUSHING 8/12-5,25	1,00			--
0015		N/A	WASHER 6x24 INOX UNI 6593	1,00			--
0016	819682	N/A	CABLE	1,00			--
0017		N/A	SCREW STS KN1038 6x20 - T25 A2	1,00			--
0018	819683	N/A	FILTER .	1,00			--
0019	819684	N/A	FILTER VACUUM MOTOR	1,00			--
0020		N/A	CLAMP WORMDRIVE d.32-50	1,00			--
0021	819685	N/A	CONVEYOR	1,00			--
0022		N/A	BRACKET .	1,00			--
0023		N/A	CLAMP -	2,00			--
0024		N/A	CLAMP INDICATION , YELLOW	1,00			--
0025	819686	N/A	HOOK .	1,00			--
0026	819687	N/A	CABLE	1,00			--
0027		N/A	FLANGE	1,00			--



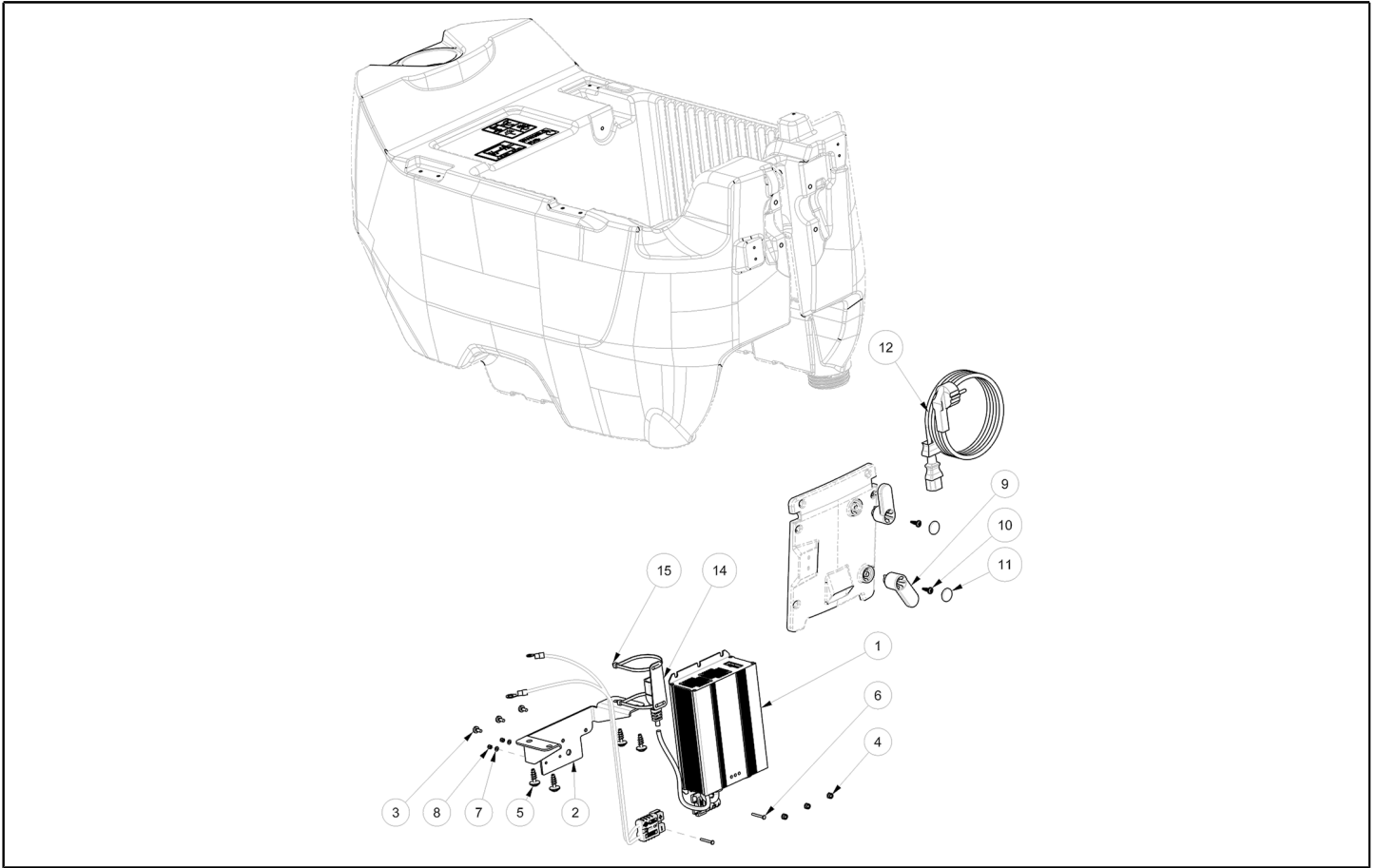
Ref. K	Part N.	Part N. 2	Description	Quantity	Validity		Price
					From	To	
0001		N/A	LEVER .	1,00			--
0002		N/A	NUT M6 INOX+ZIN.	2,00			--
0003	810970	N/A	RELAY 24V 10/20A	1,00			--
0004		N/A	SCREW TSTC UNI 7688 M6X16	1,00			--
0005		N/A	THICKNESS -	3,00			--
0006		N/A	KNOB POTENTIOMETER	1,00			--
0007	819715	N/A	SWITCH KEY	1,00			--
0008		N/A	RUBBER DEVIATORE	1,00			--
0009		N/A	SCREW	3,00			--
0010		N/A	SUPPORT .	1,00			--
0011		N/A	SCREW STS KN1038 5X20 - T20 A2	6,00			--
0012		N/A	BRACKET .	1,00			--
0013		N/A	BRACKET .	1,00			--
0014	817394	N/A	CONTACTOR 100A	1,00			--
0015		N/A	FUSE 3A	1,00			--
0016		N/A	FUSE CIRCUIT BREAKER 20A	2,00			--
0017		N/A	FUSE CIRCUIT BREAKER 30A	1,00			--
0018		N/A	SPRING PER GIUNTO HS NADIR	1,00			--
0019		N/A	SPACER .	1,00			--
0020	818476	N/A	WASHER D.6 UNI 6592 INOX	2,00			--
0021		N/A	SCREW TCEI M. 6-16	1,00			--
0022		N/A	BOARD RELAY 24V 80A FASTON	1,00			--
0023		N/A	SUPPORT FUSIBILE 120 A	1,00			--
0024	819048	N/A	MICROSWITCH -	1,00			--
0025		N/A	SCREW TC 2X12	2,00			--
0026		N/A	NUT M2	4,00			--
0027		N/A	NUT M8 INOX+ZIN.	1,00			--
0028		N/A	WASHER D. 4 INX	3,00			--
0029		N/A	SCREW TE UNI 5739 4X8 ZB	2,00			--
0030		N/A	SCREW TE M5X12 INOX	1,00			--
0031		N/A	NUT M 5 INX	1,00			--
0032		N/A	SCREW STS KN1038 5x16 - T20 A2	8,00			--
0033		N/A	WASHER GROVER A2 UNI1751	1,00			--
0034		N/A	NUT M8 UNI 5589	1,00			--
0035	819690	N/A	GASKET Ø4 X500	1,00			--
0036		N/A	COVER .	1,00			--
0037		N/A	CAP .	2,00			--
0039		N/A	WIRING CT40 BT MY2024 ASP BATT	1,00			--
0040		N/A	CABLE CT40BT MY2024	1,00			--
0045	819716	N/A	BOARD BT CT40-CT70 H2O - NEW	1,00			--
0046	819717	N/A	SWITCH EMERGENCY LOVATO LPCB6634	1,00			--
0048	819694	N/A	FUSE-HOLDER	1,00			--
0049	816273	N/A	FUSE STRIP 80A	1,00			--
0053		N/A	SMALL BASKET -	1,00			--



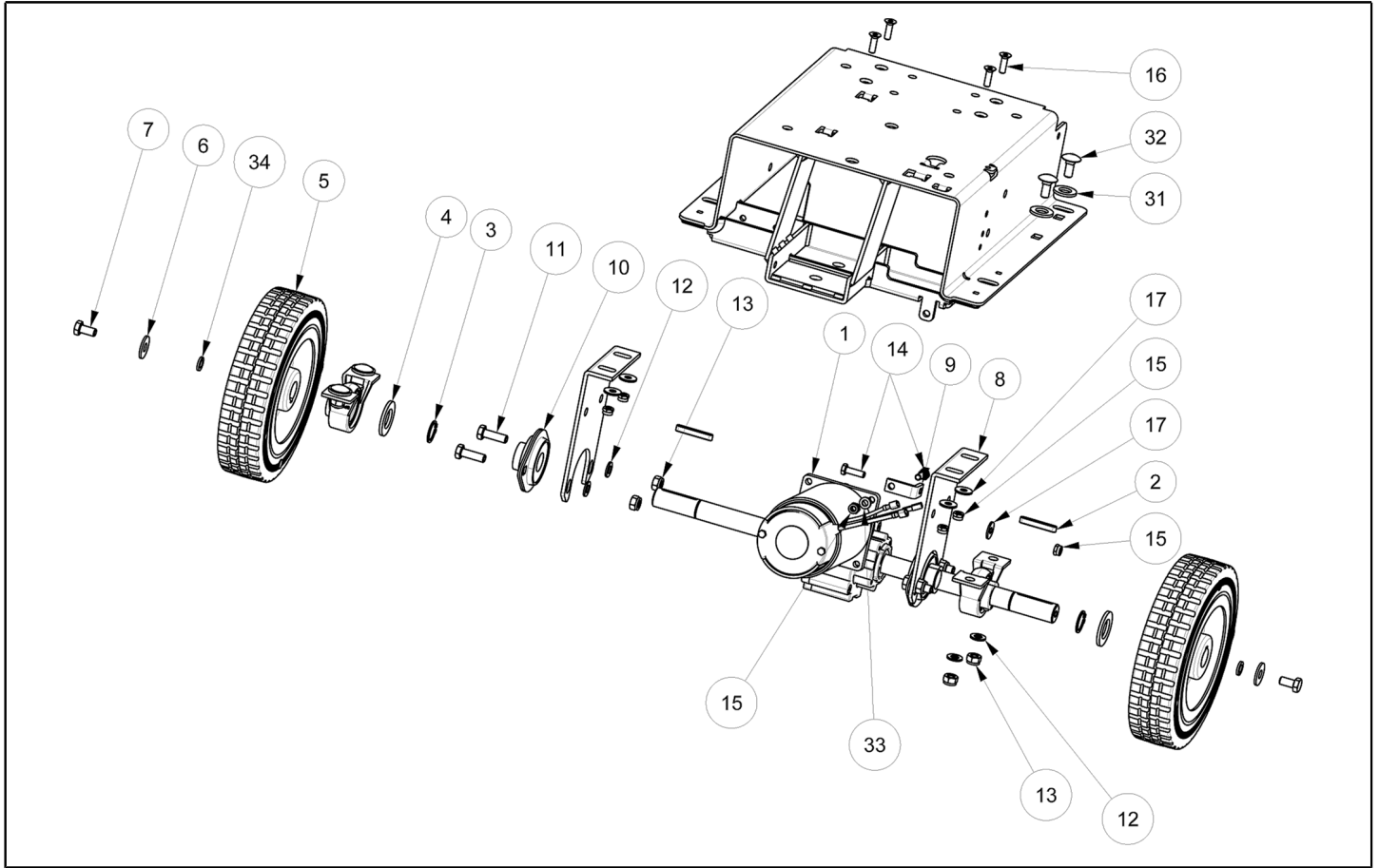
Ref. K	Part N.	Part N. 2	Description	Quantity	Validity		Price
					From	To	
0054		N/A	CONTACT NC	1,00			--
0055		N/A	SWITCH 10A - 250VAC	1,00			--
0056	819718	N/A	LABEL .	1,00			--



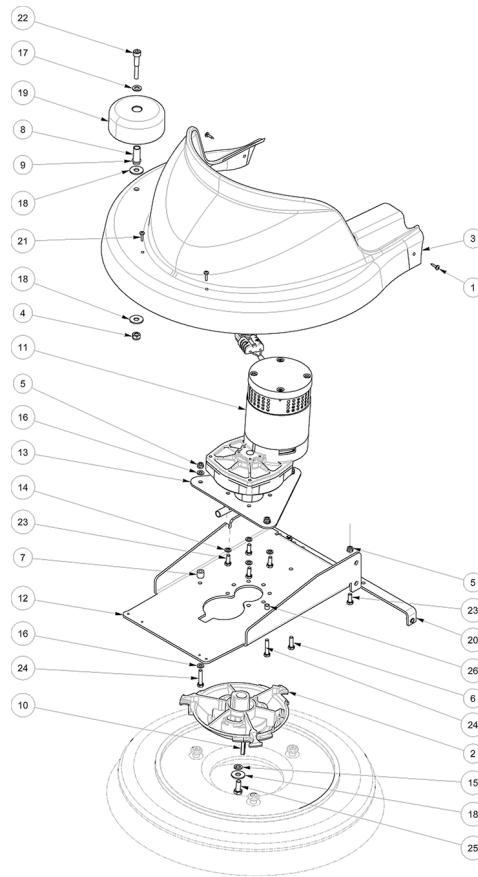
Ref. K	Part N.	Part N. 2	Description	Quantity	Validity		Price
					From	To	
0001		N/A	SHEET METAL PA.	1,00			--
0002		N/A	SCREW TE M 6X 50 INOX A2	2,00			--
0003	816645	N/A	WHEEL CASTOR D.80X30	1,00			--
0004		N/A	WASHER D.12 GROVER UNI 1751 INX	1,00			--
0005		N/A	NUT M.12 INOX A2 BASSO AUTOB.	1,00			--
0006		N/A	ARM TESTATA SUPERIORE	1,00			--
0007		N/A	BUSHING PARALLELOGR.TEST.GR.	2,00			--
0008		N/A	BUSHING BRUSH DECK SUPPORT	3,00			--
0009	816795	N/A	WASHER D. 8 INX UNI 6592	1,00			--
0010		N/A	SCREW TE M 8X50 INOX A2 UNI	1,00			--
0011		N/A	SCREW TE 8X25 UNI5739 INX	3,00			--
0012		N/A	NUT M8 INOX+ZIN.	6,00			--
0013		N/A	WASHER D. 8 X24 INX UNI 6593	5,00			--
0014		N/A	ARM PARALLELOGRAMMA	1,00			--
0015		N/A	LEVER	1,00			--
0016		N/A	BUSHING 8.2X12 H=20	1,00			--
0017		N/A	SCREW 8X60	1,00			--
0018		N/A	SPRING D. 17.5 X110 N38	1,00			--
0019		N/A	LEVER	1,00			--
0020		N/A	BRACKET	1,00			--
0021		N/A	BUSHING	1,00			--
0022		N/A	WASHER NYLON 66 D.8,4-17-2 UNI	1,00			--
0023		N/A	SCREW TE 6X20 UNI5739 INX	1,00			--
0024	818476	N/A	WASHER D.6 UNI 6592 INOX	1,00			--
0025		N/A	NUT M6 INOX+ZIN.	1,00			--
0026	817330	N/A	SPRING L=54,1 D.=9,4	1,00			--
0027	816463	N/A	SPRING TR E350 N	1,00			--
0028		N/A	PEDAL HEAD LIFTING	1,00			--
0029		N/A	SCREW TCEI 8X25	1,00			--
0030		N/A	WASHER D. 6X18 INX UNI 6593	4,00			--
0031		N/A	SPACER	2,00			--
0032		N/A	NUT M6 INOX+ZINC.B.	2,00			--
0033		N/A	WASHER D. 8 X32 UNI 6593 INX	1,00			--
0034		N/A	BUSHING D. 8X 12X13	1,00			--
0035	819695	N/A	SPRING CT40 MK2	1,00			--



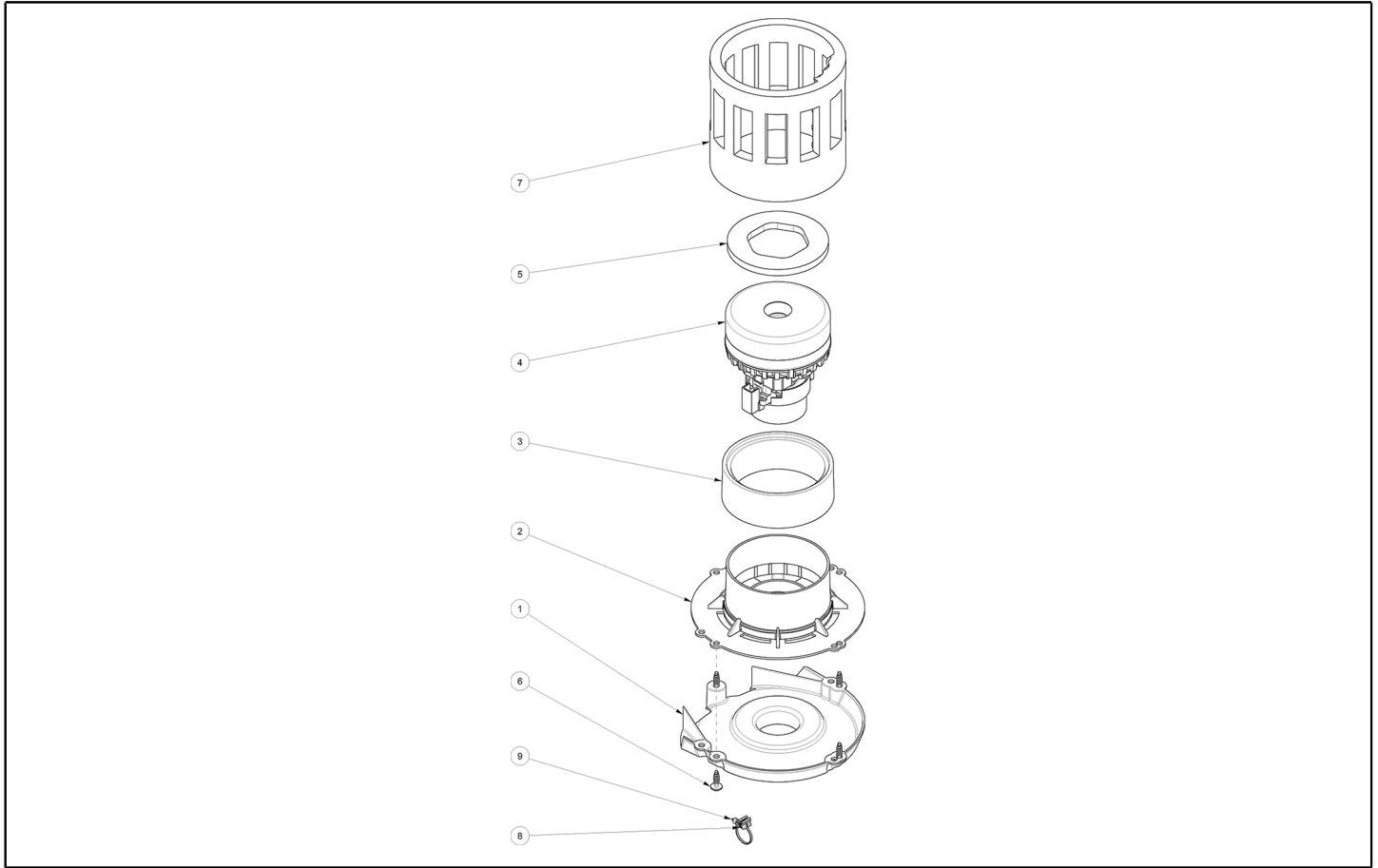
Ref. K	Part N.	Part N. 2	Description	Quantity	Validity		Price
					From	To	
0001	819696	N/A	BATTERY-CHARGER 24VDC 15A 100-240V OB	1,00			--
0002		N/A	BRACKET .	1,00			--
0003		N/A	SCREW TCB 5X10	3,00			--
0004	816987	N/A	NUT M 5 INX	3,00			--
0005		N/A	SCREW STS KN1038 8x22 - T40 A2	4,00			--
0006		N/A	SCREW TE UNI 5739 3X25 ZB	2,00			--
0007		N/A	WASHER UNI 6592 3,2X7X0,5 INOX	2,00			--
0008	819142	N/A	NUT M 3 AUTOBL.DIN 985 IX.A2	2,00			--
0009	819697	N/A	HOOK CABLE SUPPORT	2,00			--
0010		N/A	SCREW STS KN1038 5x16 - T20 A2	2,00			--
0011		N/A	CAP .	2,00			--
0012	818174	N/A	EXTENSION 3x0,75 SHUKO PLUG	1,00			--
0014		N/A	PLATE POWER CORD HOLDER	1,00			--
0015		N/A	CLAMP 4,5x200 black	2,00			--



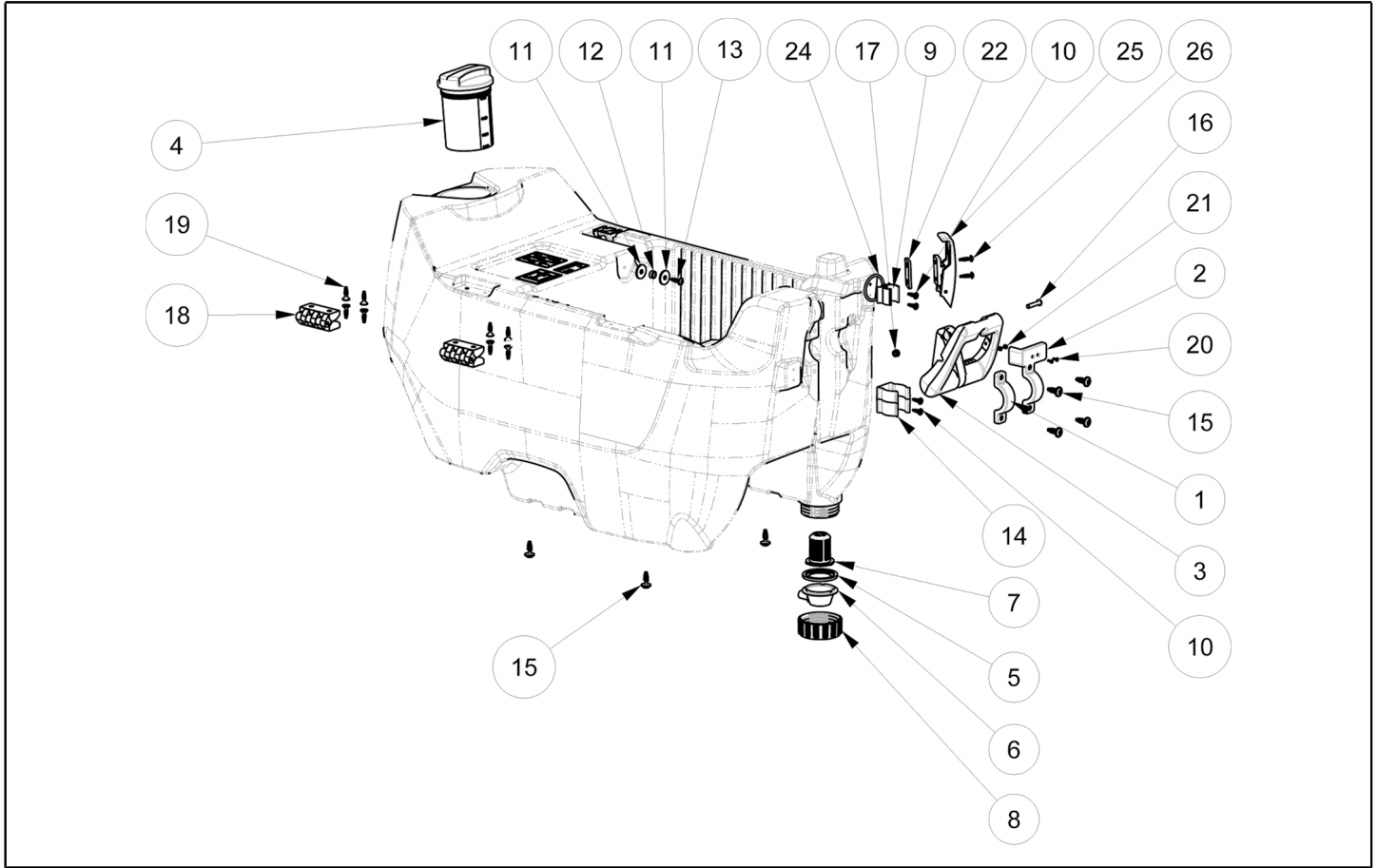
Ref. K	Part N.	Part N. 2	Description	Quantity	Validity		Price
					From	To	
0001		N/A	MOTOR AOMPDI 24V 145W	1,00			--
0002		N/A	KEY 6x 6x40 UNI 6604A	2,00			--
0003	819619	N/A	CIRCLIP D. 20 UNI 7435	2,00			--
0004		N/A	WASHER M 6592 FORO 20 INOX	2,00			--
0005	816812	N/A	WHEEL CT40	2,00			--
0006		N/A	WASHER D. 8 X32 UNI 6593 INX	2,00			--
0007		N/A	SCREW TE M 8X 16 UNI 5739 A2	2,00			--
0008		N/A	BRACKET MOTORE	2,00			--
0009		N/A	SMALL SQUARE -	1,00			--
0010	816856	N/A	BEARING SB204KDF+PFL204PTN	2,00			--
0011		N/A	SCREW TE 8X20 UNI5739 INX	4,00			--
0012	816795	N/A	WASHER D. 8 INX UNI 6592	8,00			--
0013		N/A	NUT M8 INOX+ZIN.	8,00			--
0014		N/A	SCREW TE 6X20 UNI5739 INX	2,00			--
0015		N/A	NUT M6 INOX+ZIN.	6,00			--
0016		N/A	SCREW M 6X 20 TSPEI UNI 5933	4,00			--
0017		N/A	WASHER D. 6X18 INX UNI 6593	5,00			--
0030	817059	N/A	BEARING FLANGIA P47	2,00			--
0031		N/A	WASHER D.12X24 UNI 6592 INX	4,00			--
0032		N/A	SCREW	4,00			--
0033	818476	N/A	WASHER D.6 UNI 6592 INOX	1,00			--
0034		N/A	WASHER GROVER A2 UNI1751	2,00			--



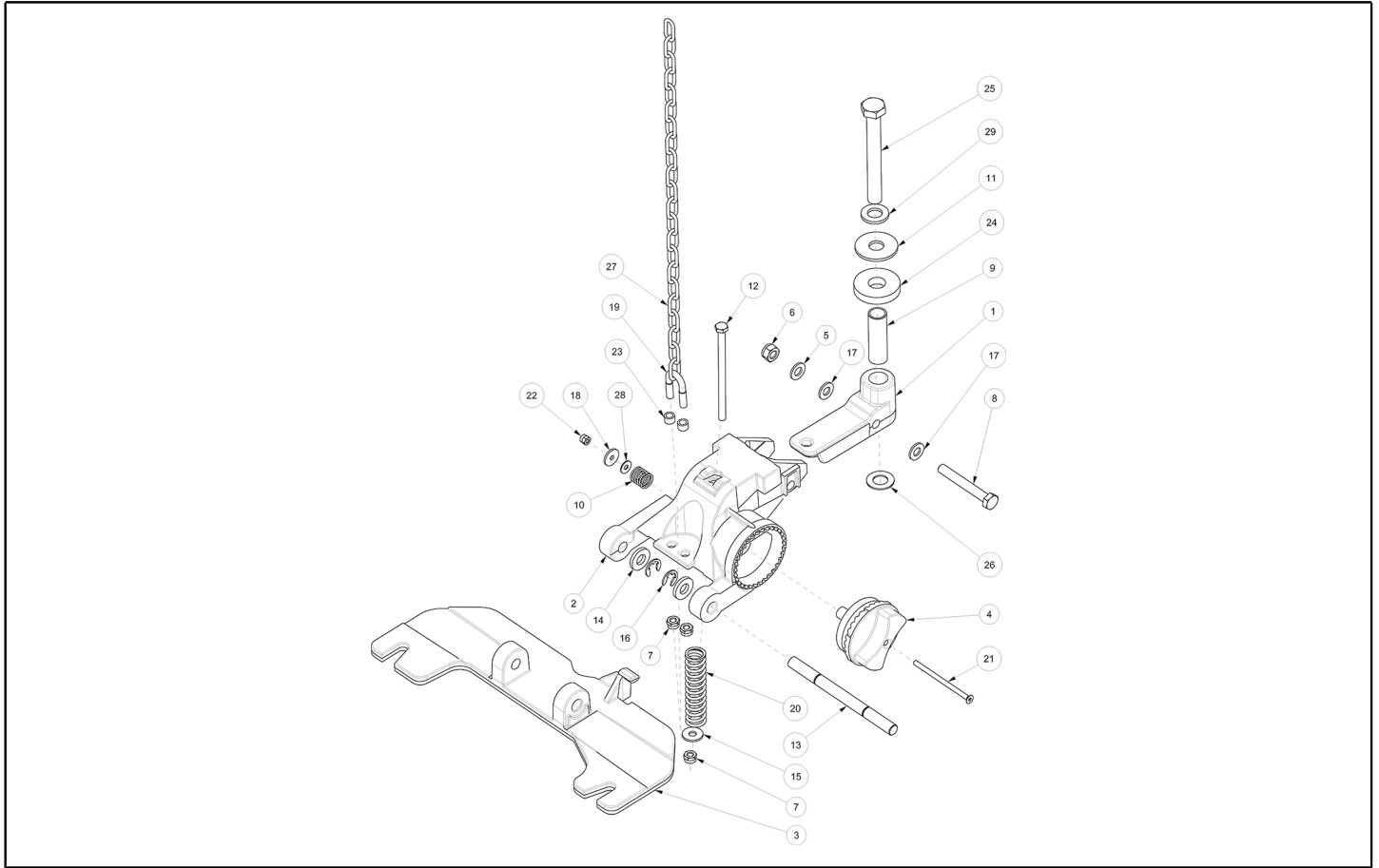
Ref. K	Part N.	Part N. 2	Description	Quantity	Validity		Price
					From	To	
0001		N/A	SCREW M4x16	2,00			--
0002	819698	N/A	DRIVE DISK CONICAL ALUM.	1,00			--
0003	819699	N/A	COVERING	1,00			--
0004		N/A	NUT M8 INOX+ZIN.	1,00			--
0005		N/A	NUT M6 INOX+ZIN.	5,00			--
0006		N/A	SCREW TE M 6X 30 UNI 5739 INX	1,00			--
0007		N/A	SPACER -	1,00			--
0008	818334	N/A	SPACER LOLY 700	1,00			--
0009	819133	N/A	GASKET	1,00			--
0010	816251	N/A	KEY 6X 6X30 UNI 6604	1,00			--
0011	819700	N/A	MOTOR BRUSH	1,00			--
0012		N/A	BRACKET	1,00			--
0013		N/A	PLATE .	1,00			--
0014		N/A	WASHER D. 6 INX GRW UNI 1751	4,00			--
0015		N/A	WASHER GROVER A2 UNI1751	1,00			--
0016	818476	N/A	WASHER D.6 UNI 6592 INOX	6,00			--
0017	816795	N/A	WASHER D. 8 INX UNI 6592	1,00			--
0018		N/A	WASHER D. 8 X24 INX UNI 6593	3,00			--
0019	817334	N/A	WHEEL BUMPER RAL7040	1,00			--
0020		N/A	SUPPORT BRACKET CARTER 1 EXTREME	1,00			--
0021		N/A	SCREW TC+ M4 X 10 TRILOBATA	2,00			--
0022		N/A	SCREW TCEI 8X50 UNI5931	1,00			--
0023		N/A	SCREW TE 6X16 UNI5739	6,00			--
0024		N/A	SCREW TE M 6X 30 UNI 5739 INX	2,00			--
0025		N/A	SCREW TE 8X20 UNI5739 INX	1,00			--
0026		N/A	BUSHING	1,00			--



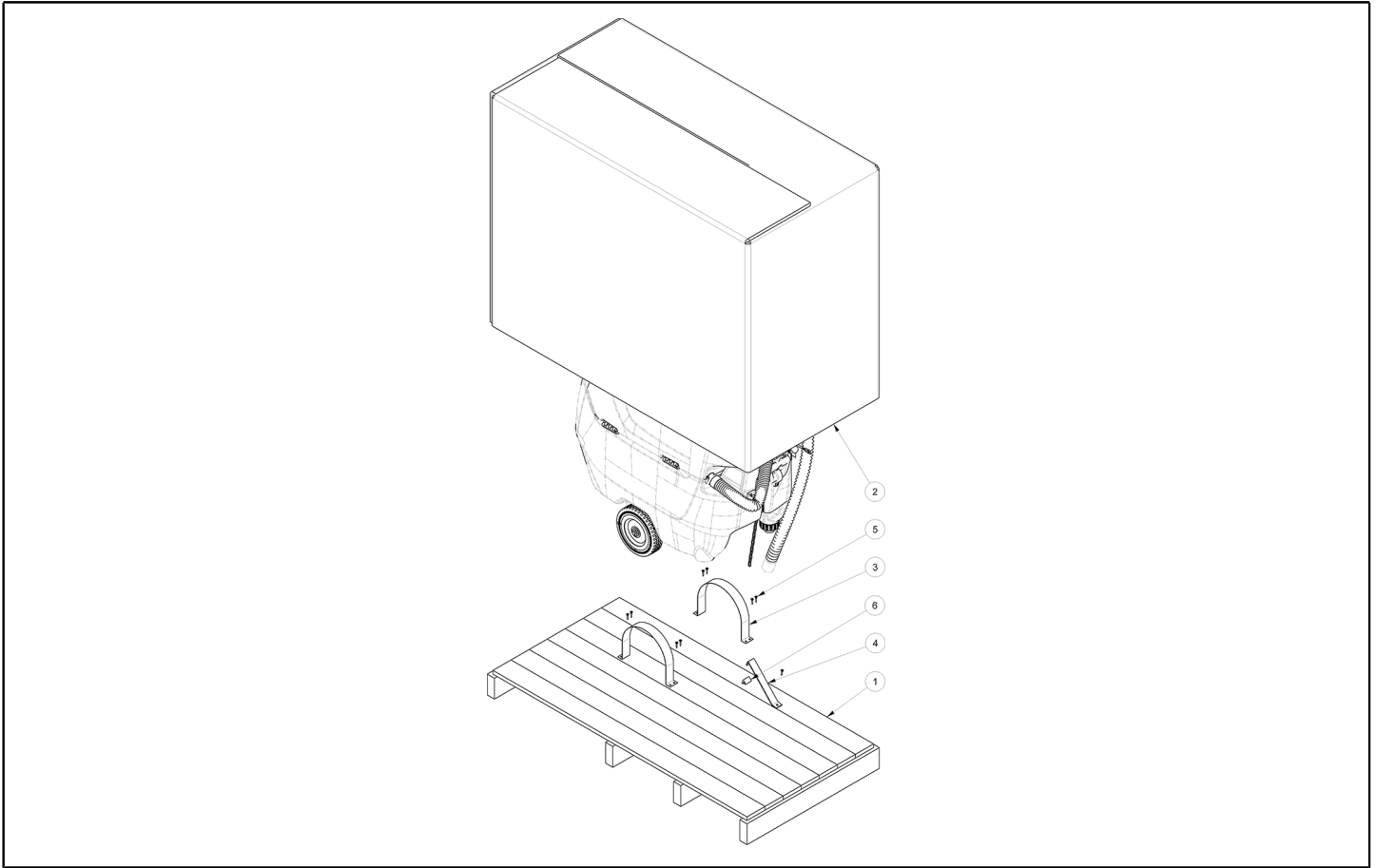
Ref. K	Part N.	Part N. 2	Description	Quantity	Validity		Price
					From	To	
0001	819701	N/A	COVERING VACUUM MOTOR CT51-71	1,00			--
0002	819702	N/A	BAFFLE .	1,00			--
0003		N/A	GASKET -	1,00			--
0004	819703	N/A	MOTOR VACUUM	1,00			--
0004		N/A	CARBON .	1,00			--
0005	819045	N/A	GASKET VACUUM MOTOR CT51-71	1,00			--
0006		N/A	SCREW STS KN1038 8x25 - T40 A2	4,00			--
0007		N/A	SOUND-PROOFING .	1,00			--
0008		N/A	BASE CLAMP	1,00			--
0009		N/A	CLAMP 2,5X100	1,00			--



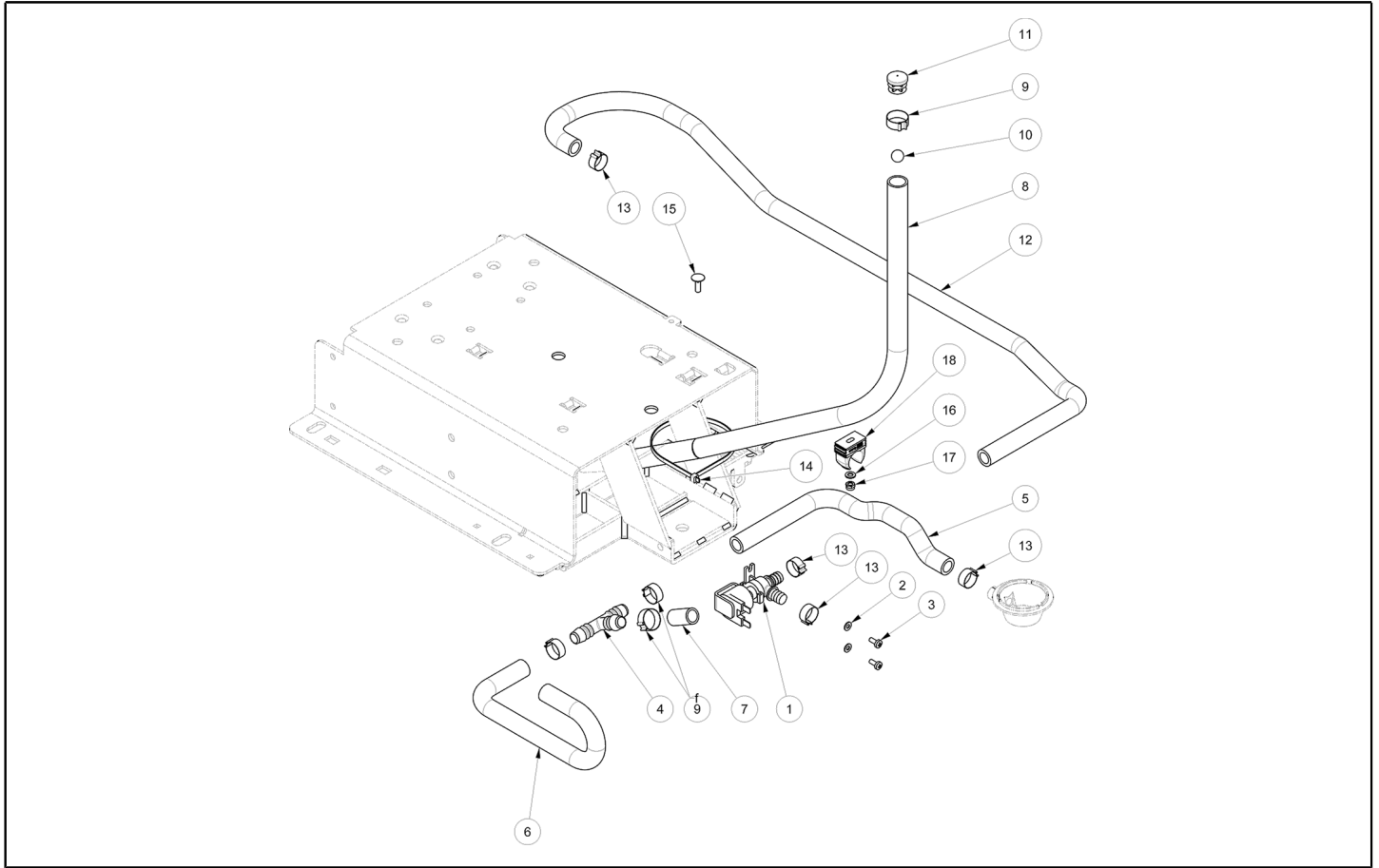
Ref. K	Part N.	Part N. 2	Description	Quantity	Validity		Price
					From	To	
0001	819704	N/A	PLATE -	1,00			--
0002	819705	N/A	SUPPORT -	1,00			--
0003	819369	N/A	HANDLE SQUEEGEE LIFTING CT51-71	1,00			--
0004	814067	N/A	CAP SOLUTION TANK	1,00			--
0005	819052	N/A	GASKET -	1,00			--
0006	819085	N/A	HOSE FITTING SOLUTION FILTER CT51	1,00			--
0007	819706	N/A	FILTER INOX MESH 80	1,00			--
0008	819086	N/A	CAP SOLUTION TANK CT51-71	1,00			--
0009	811880	N/A	CLIP -	1,00			--
0010		N/A	SCREW STS KN1038 5x16 - T20 A2	4,00			--
0011		N/A	WASHER 6x24 INOX UNI 6593	2,00			--
0012		N/A	BUSHING 8/12-5,25	1,00			--
0013		N/A	SCREW STS KN1038 6x20 - T25 A2	1,00			--
0014	816459	N/A	CLIP FIXATION DRAIN HOSE	1,00			--
0015		N/A	SCREW STS KN1038 8x22 - T40 A2	8,00			--
0016		N/A	SCREW TBEI 6X30	1,00			--
0017		N/A	NUT M6 INOX+ZIN.	1,00			--
0018	819707	N/A	HINGE .	2,00			--
0019		N/A	SCREW STP41 6x22 -T30 A2	8,00			--
0020	819141	N/A	SCREW TSTC M3X8	2,00			--
0021	819142	N/A	NUT M 3 AUTOBL.DIN 985 IX.A2	2,00			--
0022	819708	N/A	THICKNESS CT40 MK2	1,00			--
0024		N/A	GASKET OR (G10052)	1,00			--
0025	819709	N/A	HOOK PLAST.COMPL. GI-VAC	1,00			--
0026		N/A	SCREW STS KN1038 5X20 - T20 A2	2,00			--



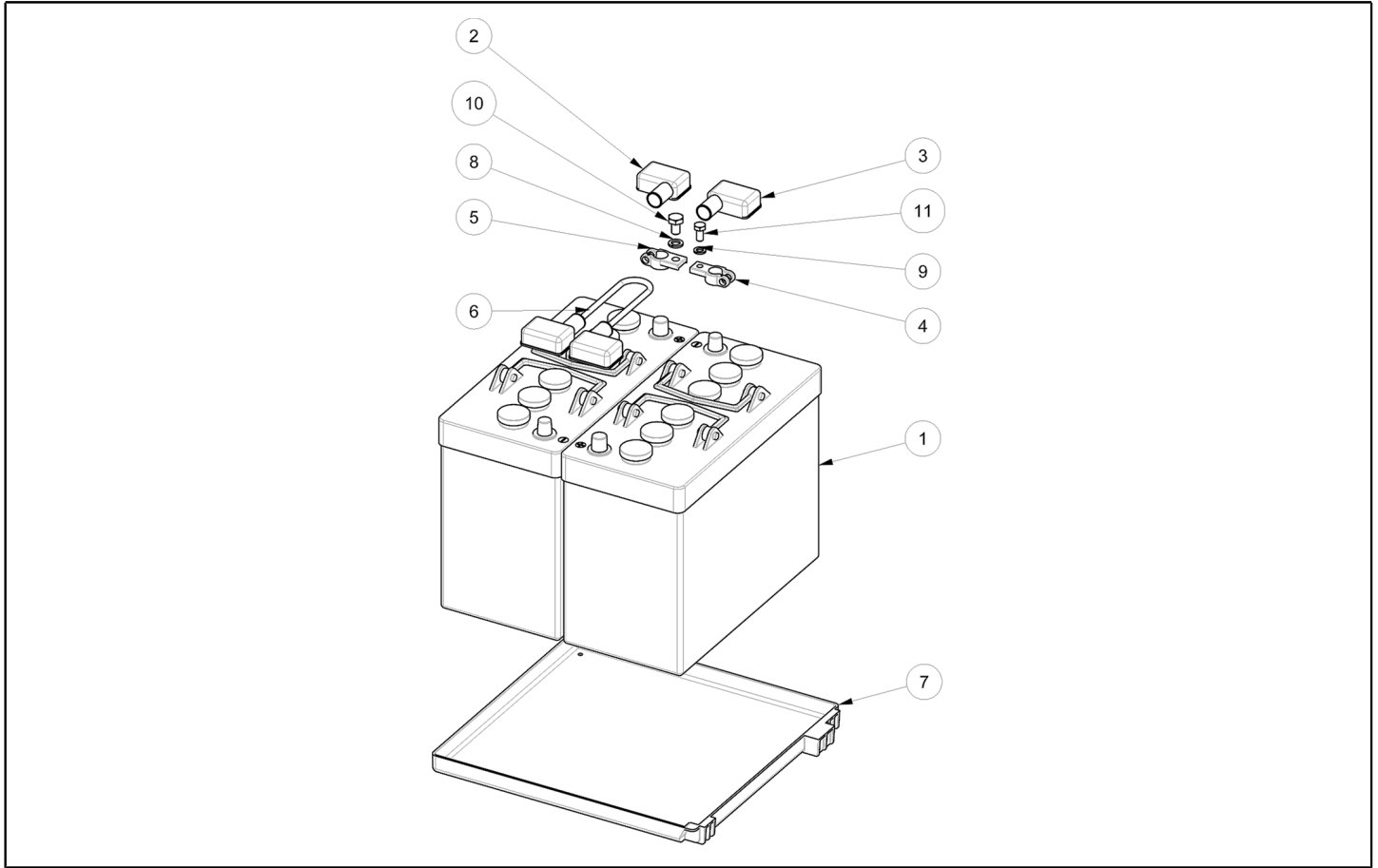
Ref. K	Part N.	Part N. 2	Description	Quantity	Validity		Price
					From	To	
0001		N/A	SUPPORT PIVOT SQUEEGEE CT51-71	1,00			--
0002		N/A	SUPPORT REGULATION SQUEEGEE CT51	1,00			--
0003		N/A	SUPPORT -	1,00			--
0004	819091	N/A	KNOB SQUEEGEE ANGLE ADJUSTMENT	1,00			--
0005		N/A	WASHER D. 8 INX UNI 6592	1,00			--
0006		N/A	NUT M8 INOX+ZIN.	1,00			--
0007		N/A	NUT M6 INOX+ZIN.	3,00			--
0008		N/A	SCREW 8X60	1,00			--
0009	819380	N/A	BUSHING 13X16X51	1,00			--
0010		N/A	SPRING SQUEEGEE KNOB	1,00			--
0011		N/A	WASHER UNI 6593 12X36X2,5	1,00			--
0012		N/A	SCREW TE M6x100	1,00			--
0013	819193	N/A	PIN FOR SQUEEGEE SUPPORT CT51	1,00			--
0014	819194	N/A	WASHER -	2,00			--
0015		N/A	WASHER D. 6X18 INX UNI 6593	1,00			--
0016		N/A	SEEGER RADIALE TIPO H UNI7434 D8	2,00			--
0017		N/A	WASHER NYLON 66 D.8,4-17-2 UNI	2,00			--
0018		N/A	WASHER 4-16 INOX A2	1,00			--
0019		N/A	BRACKET M6X11X29	1,00			--
0020	819092	N/A	SPRING -	1,00			--
0021		N/A	SCREW 4X70 UNI 5933	1,00			--
0022		N/A	NUT M 4 INX+ZN	1,00			--
0023		N/A	TUBE CRISTALLO 6X9	2,00			--
0024	819381	N/A	WASHER 15X40	1,00			--
0025		N/A	SCREW M12X100 UNI5737 ZN 8.8	1,00			--
0026		N/A	WASHER ELAST.ONDUL.DI 13	1,00			--
0027		N/A	CHAIN -	1,00			--
0028		N/A	WASHER STEEL INOX 4X12	1,00			--
0029		N/A	WASHER D.12X24 UNI 6592 INX	1,00			--



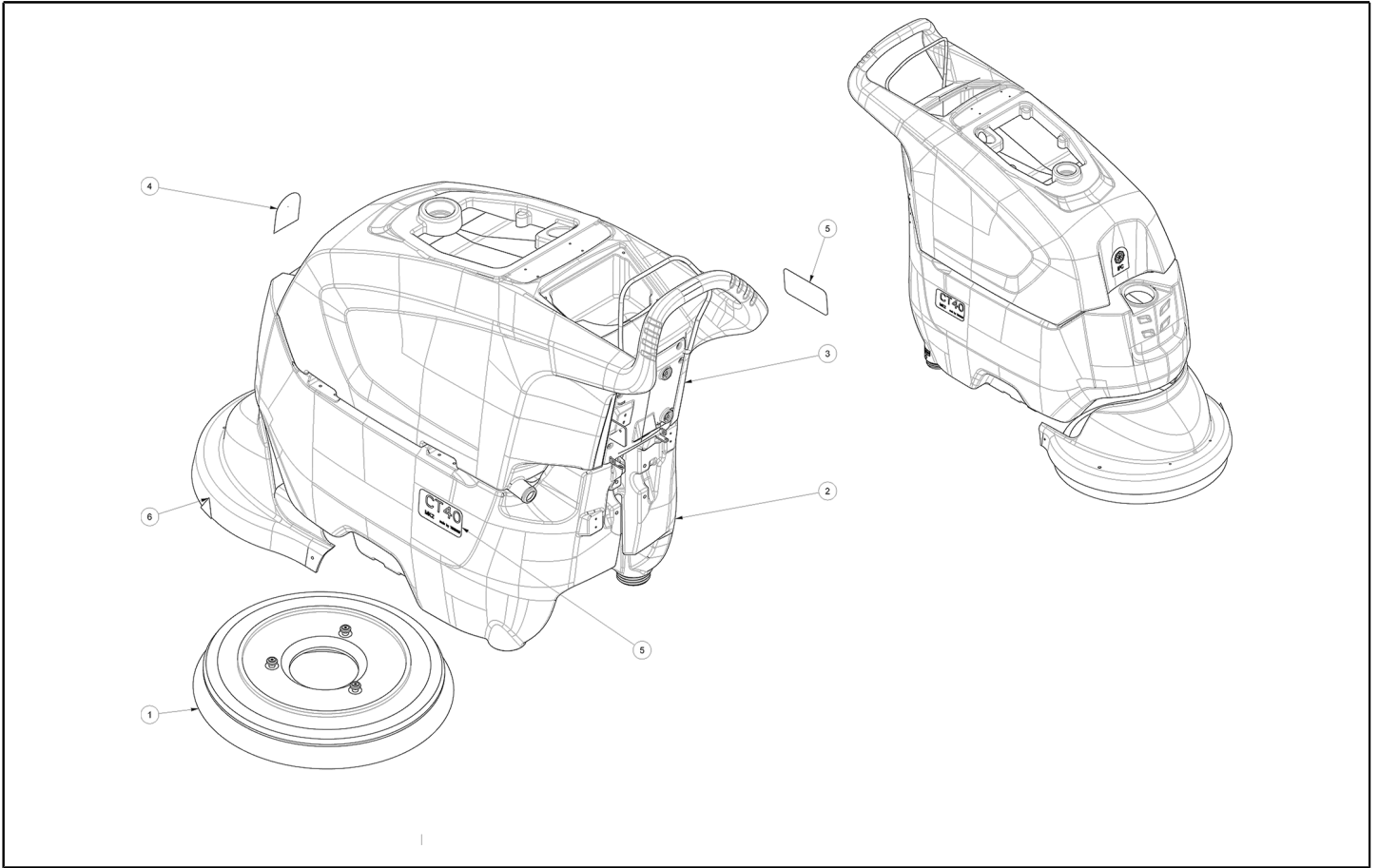
Ref. K	Part N.	Part N. 2	Description	Quantity	Validity		Price
					From	To	
0001		N/A	PALLET	1,00			--
0002		N/A	CARTON	1,00			--
0003		N/A	CLAMP RUOTA POSTERIORE X IMBAL.	2,00			--
0004		N/A	CLAMP RUOTA POSTERIORE X IMBAL.	1,00			--
0005		N/A	SCREW AUTOF.LEGNO 4,5X25 TS BR	9,00			--
0006		N/A	GASKET .	0,05			--



Ref. K	Part N.	Part N. 2	Description	Quantity	Validity		Price
					From	To	
0001	810272	N/A	SOLENOID VALVE HOLE 8mm CLEANTIME	1,00			--
0002		N/A	WASHER D. 4 INX	2,00			--
0003		N/A	SCREW TC+ M4 X 10 TRILOBATA	2,00			--
0004		N/A	CONNECTOR 3 VIE	1,00			--
0005		N/A	HOSE D.12 L=350	1,00			--
0006		N/A	HOSE D.12 L=180	1,00			--
0007		N/A	TUBE Di12 De17 L =30 mm	1,00			--
0008		N/A	HOSE D.16 L=680	1,00			--
0009		N/A	CLAMP	2,00			--
0010		N/A	BALL D.12	1,00			--
0011		N/A	CAP D.20	1,00			--
0012		N/A	HOSE L=900	1,00			--
0013		N/A	CLAMP	6,00			--
0014		N/A	CLAMP 3,7x290	1,00			--
0015		N/A	SCREW UNI5731 5X16 A2	1,00			--
0016		N/A	WASHER D. 5 INX	1,00			--
0017	816987	N/A	NUT M 5 INX	1,00			--
0018		N/A	CLIP .	1,00			--



Ref. K	Part N.	Part N. 2	Description	Quantity	Validity		Price
					From	To	
0001	810001	N/A	BATTERY 12V 105Ah/C5 GEL IPC	2,00			--
0002		N/A	BATTERY BOOT RED	1,00			--
0003		N/A	BATTERY BOOT BLACK	2,00			--
0004		N/A	CLAMP BATTERY	1,00			--
0005		N/A	CLAMP BATTERY	1,00			--
0006	816659	N/A	WIRING BATTERY BRIDGE W/TERMINAL	1,00			--
0007		N/A	PLATE BATTERIA CT40 B ECO	1,00			--
0008		N/A	WASHER D.10	1,00			--
0009		N/A	WASHER GROVER A2 UNI1751	1,00			--
0010		N/A	SCREW TE M10X 16	1,00			--
0011		N/A	SCREW TE M 8X 16 UNI 5739 A2	1,00			--



Ref. K	Part N.	Part N. 2	Description	Quantity	Validity		Price
					From	To	
0001	818501	N/A	BRUSH APC D.500 (20") PPL 0.65m	1,00			--
0002	819710	N/A	TANK SOLUTION	1,00			--
0003	819711	N/A	TANK RECOVERY	1,00			--
0004		N/A	LABEL LABEL IPC 82X60	1,00			--
0005		N/A	LABEL .	2,00			--
0006		N/A	ADHESIVE ATTENZ.ABRAS.ARTI	1,00			--